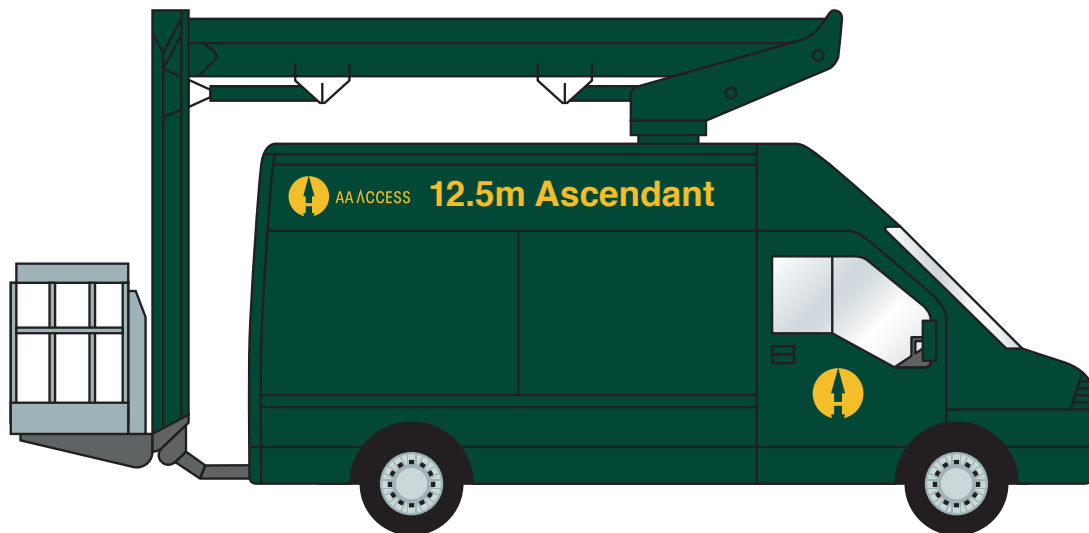


# 12.5 metre Ascendant

3.5 tonne GVW (Cat B Driving Licence)



AA ACCESS



**AA Access Ltd**

239 Ashley Rd, Hale, Altrincham, Greater Manchester WA15 9NE

t: 0161 223 8100 e: [info@highaccess.co.uk](mailto:info@highaccess.co.uk) w: [highaccess.co.uk](http://highaccess.co.uk)

# 12.5 metre Ascendant

3.5 tonne GVW (Cat B Driving Licence)

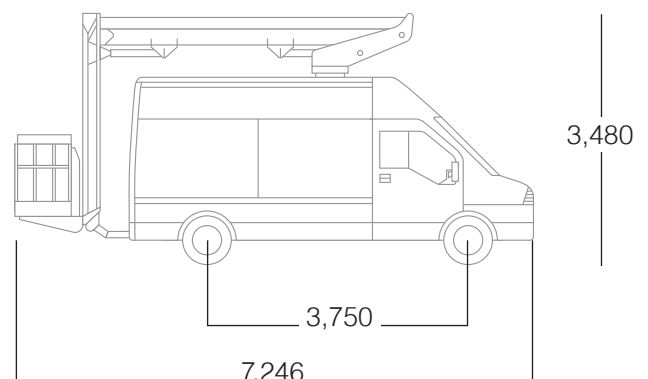
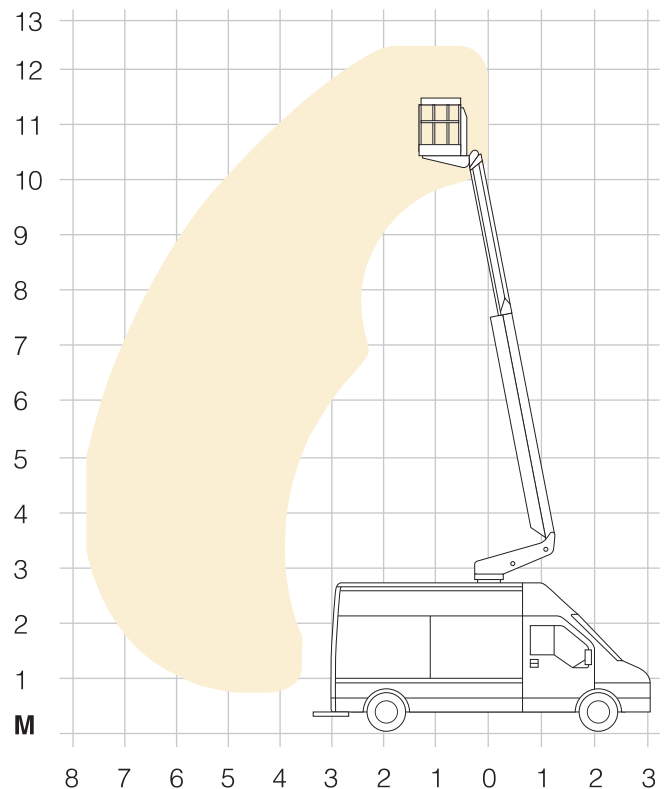


AA ACCESS

## 12.5 m Ascendant features

The 12.5m Ascendant is a simple, lightweight, reverse articulated boom designed to achieve maximum payload in a 3.5tonne van. The zero tailswing plus two independently operated booms arrangement gives excellent controllability when manoeuvring. The design makes the machine feel safer and simpler than its contemporaries. The large, insulated GRP cage incorporating a walk in entry door and 230kg carrying capacity helps to maximise productivity.

Model	<b>12.5 m Ascendant</b>
Max working height	<b>12.5 m</b>
Platform height	<b>10.5 m</b>
Outreach	<b>7.7 m</b>
SWL	<b>230 kg</b>
Stabiliser spread	<b>2.6 m</b>
Travel width	<b>2.0 m</b>
Travel length	<b>7.1 m</b>
Travel height	<b>3.45 m</b>
Dimensions	<b>1.3 x 0.8 x 1.1 m</b>
GVW	<b>3.5 tonne</b>



### AA Access Ltd

239 Ashley Rd, Hale, Altrincham, Greater Manchester WA15 9NE  
t: 0161 223 8100 e: info@highaccess.co.uk w: highaccess.co.uk