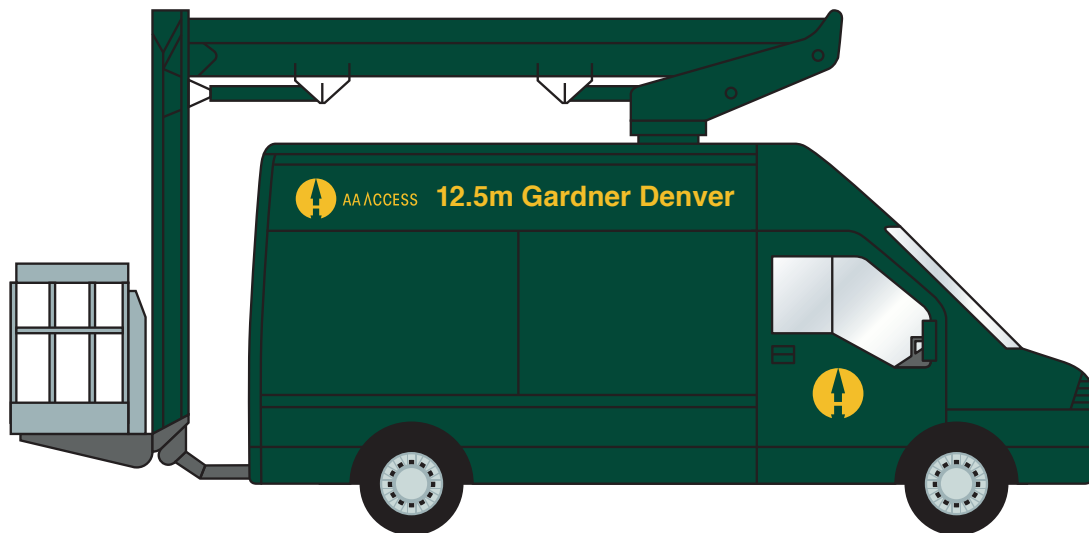


# 12.5 metre Gardner Denver

5.0 tonne GVW (Cat C1 Driving Licence)



AA ACCESS



**AA Access Ltd**

239 Ashley Rd, Hale, Altrincham, Greater Manchester WA15 9NE  
t: 0161 223 8100 e: [info@highaccess.co.uk](mailto:info@highaccess.co.uk) w: [highaccess.co.uk](http://highaccess.co.uk)

# 12.5 metre Gardner Denver

5.0 tonne GVW (Cat C1 Driving Licence)

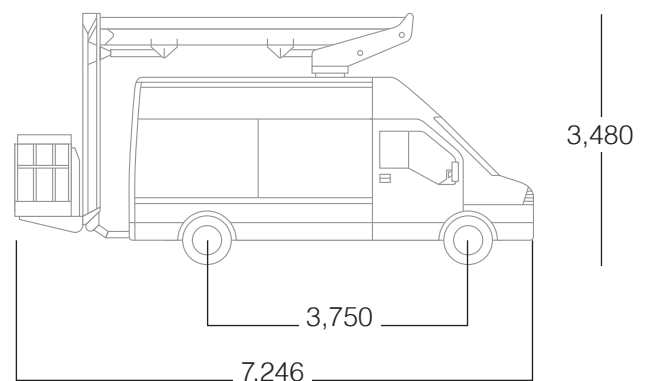
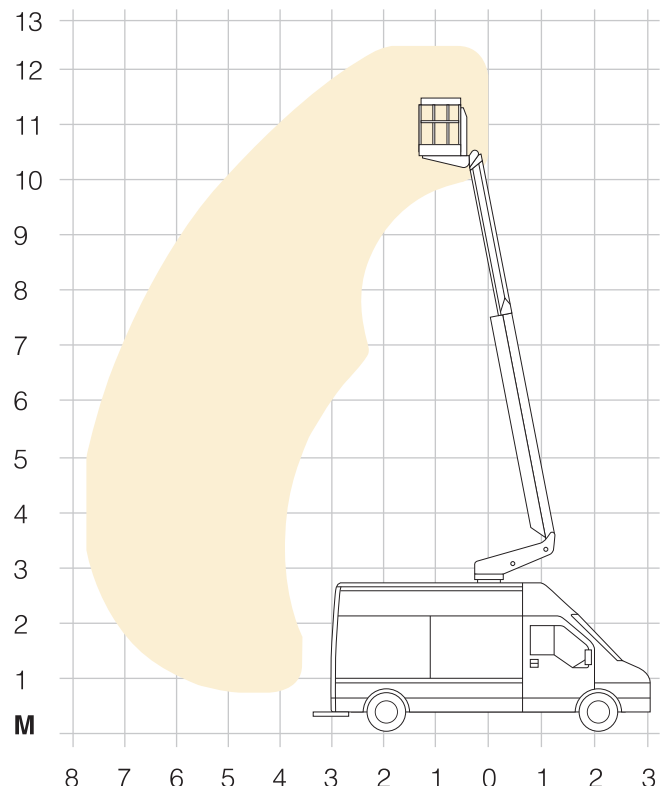


AA ACCESS

## 12.5 m Gardner Denver features

The 12.5m Gardner Denver is a simple, lightweight, reverse articulated boom designed to achieve maximum payload in a 5.0tonne van. The zero tailswing plus two independently operated booms arrangement gives excellent controllability when manoeuvring. The design makes the machine feel safer and simpler than its contemporaries. The large, insulated GRP cage incorporating a walk in entry door and 230kg carrying capacity helps to maximise productivity.

Model	<b>12.5 m Gardner Denver</b>
Max working height	<b>12.5 m</b>
Platform height	<b>10.5 m</b>
Outreach	<b>7.7 m</b>
SWL	<b>230 kg</b>
Stabiliser spread	<b>2.6 m</b>
Travel width	<b>2.0 m</b>
Travel length	<b>7.1 m</b>
Travel height	<b>3.45 m</b>
Dimensions	<b>1.3 x 0.8 x 1.1 m</b>
GVW	<b>5.0 tonne</b>



### AA Access Ltd

239 Ashley Rd, Hale, Altrincham, Greater Manchester WA15 9NE

t: 0161 223 8100 e: info@highaccess.co.uk w: highaccess.co.uk