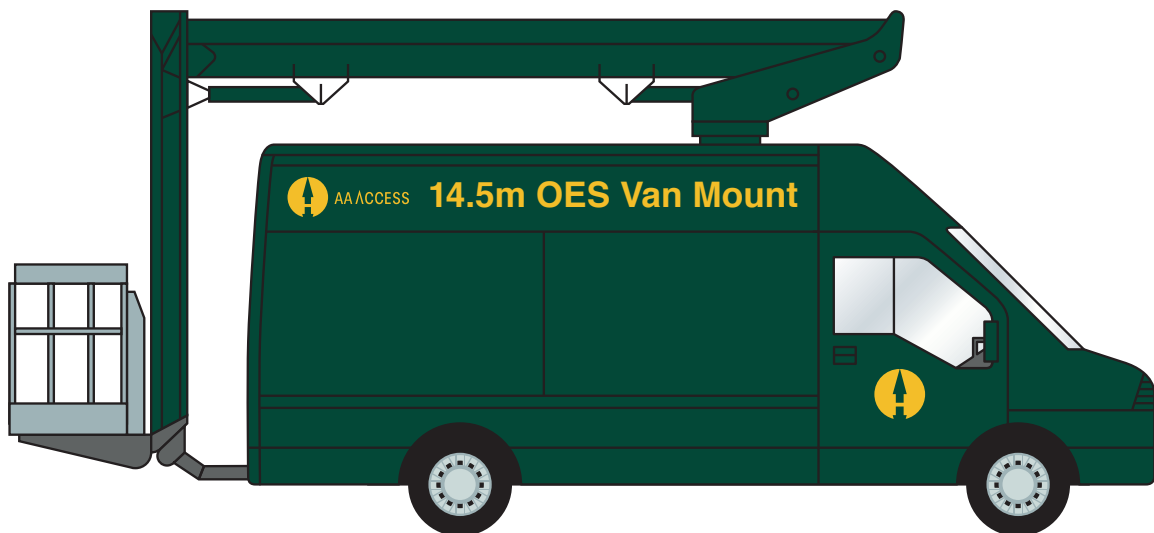


14.5 metre OES Van Mount

5.2 tonne GVW (Cat C1 Driving Licence)



AA ACCESS



AA Access Ltd

239 Ashley Rd, Hale, Altrincham, Greater Manchester WA15 9NE

t: 0161 223 8100 e: info@highaccess.co.uk w: highaccess.co.uk

14.5 metre OES Van Mount

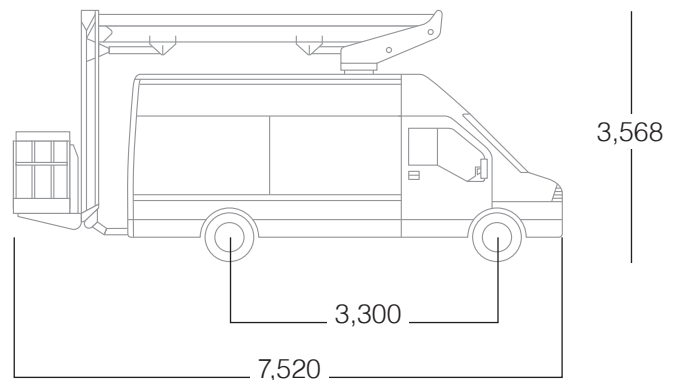
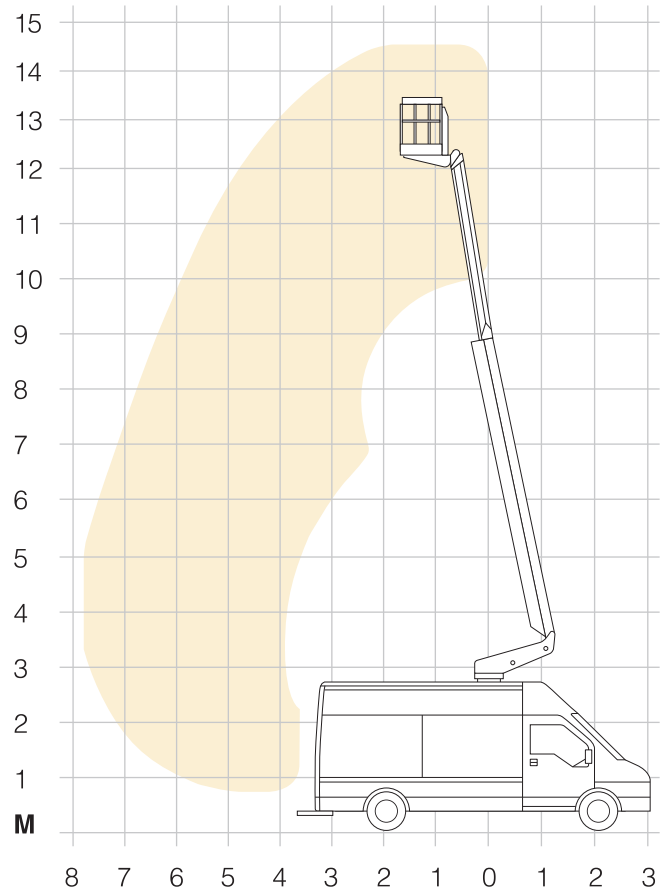
5.2 tonne GVW (Cat C1 Driving Licence)



14.5 m OES Van Mount features

The OA15 is a simple, reverse articulated boom with an extending fly jib fitted to a 5.2 tonne van. The zero tailswing plus 2 independently operated booms arrangement gives excellent controllability when manoeuvring. The design makes the machine feel safer and simpler than its contemporaries. The large, insulated Moulded Basket cage incorporating a walk in entry door and 200kg carrying capacity helps to maximise productivity.

Model	14.5 m OES Van Mount
Max working height	14.5 m
Platform height	12.5 m
Outreach	7.7 m
SWL	200 kg
Stabiliser spread	3.3 m
Travel width	2.0 m
Travel length	7.7 m
Travel height	3.6 m
Dimensions	1.3 x 0.8 x 1.1 m
GVW	5.2 tonne



AA Access Ltd

239 Ashley Rd, Hale, Altrincham, Greater Manchester WA15 9NE
t: 0161 223 8100 e: info@highaccess.co.uk w: highaccess.co.uk