

20.10 Hinowa Lightlift

3.5 tonne GVW



AA ACCESS



AA Access Ltd

239 Ashley Rd, Hale, Altrincham, Greater Manchester WA15 9NE

t: 0161 223 8100 e: info@highaccess.co.uk w: highaccess.co.uk

20.10 Hinowa Lightlift

3.5 tonne GVW

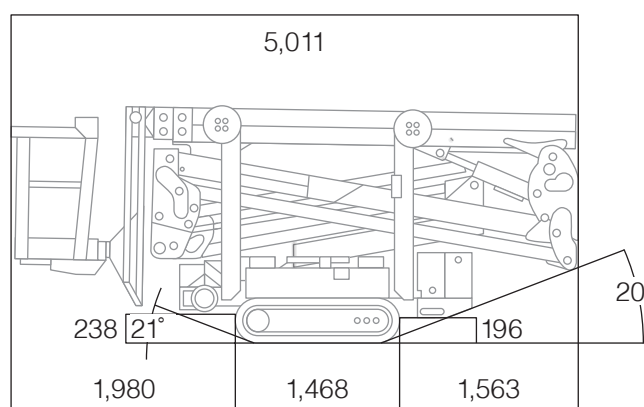
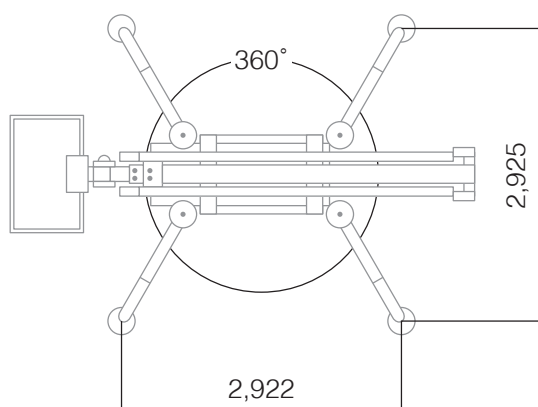
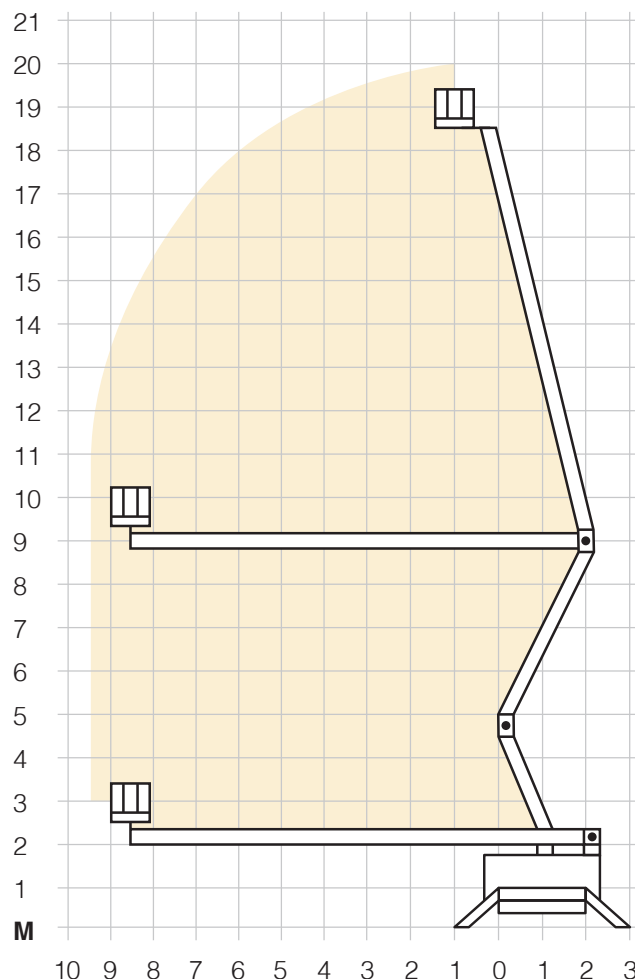


AA ACCESS

20.10 Hinowa Lightlift features

The 20.10 Hinowa Lightlift Access Machine is a versatile unit that can be used indoors or outdoors. The platform has a maximum working height of 20 metres and a maximum horizontal outreach of 9.7 metres. It is capable of fitting through a standard door frame and has an articulated boom with rotating basket. The 230kg capacity allows the maximum flexibility of use and will provide the ideal solution to a number of work at height issues where traditional equipment may struggle for access.

Model	20.10 Hinowa Lightlift
Max working height	20 m
Outreach	9.7 m
SWL	230 kg
Rotation	360° Continuous
Basket Rotation	62° + 62°
Travel width	0.795 m
Travel length	5.01 m
Travel height	2 m
Dimensions	1.3 x 0.69 x 1.1 m
GVW	3.5 tonne



AA Access Ltd

239 Ashley Rd, Hale, Altrincham, Greater Manchester WA15 9NE

t: 0161 223 8100 e: info@highaccess.co.uk w: highaccess.co.uk