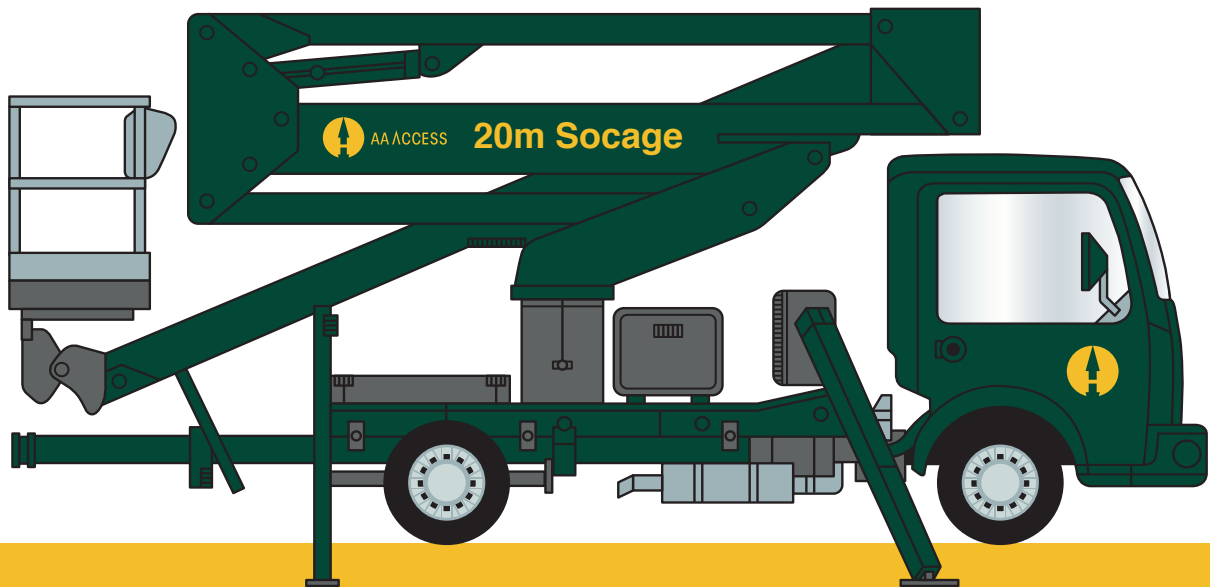


20 metre Socage

3.5 tonne GVW (Cat B Driving Licence)



AA ACCESS



AA Access Ltd

239 Ashley Rd, Hale, Altrincham, Greater Manchester WA15 9NE

t: 0161 223 8100 e: info@highaccess.co.uk w: highaccess.co.uk

20 metre Socage

3.5 tonne GVW (Cat B Driving Licence)



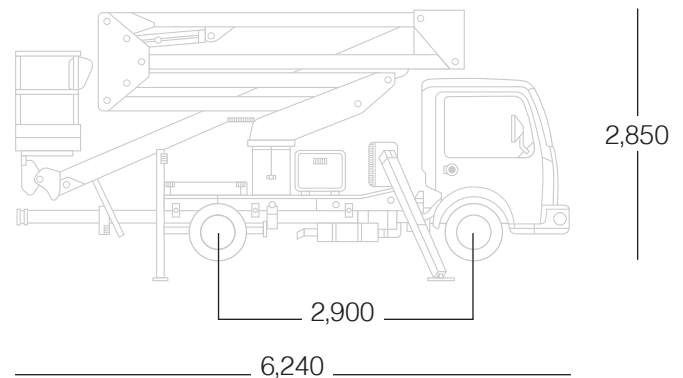
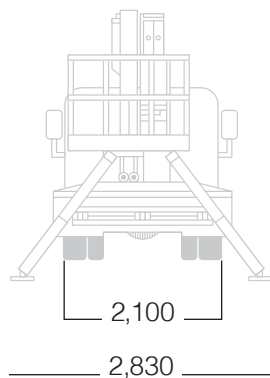
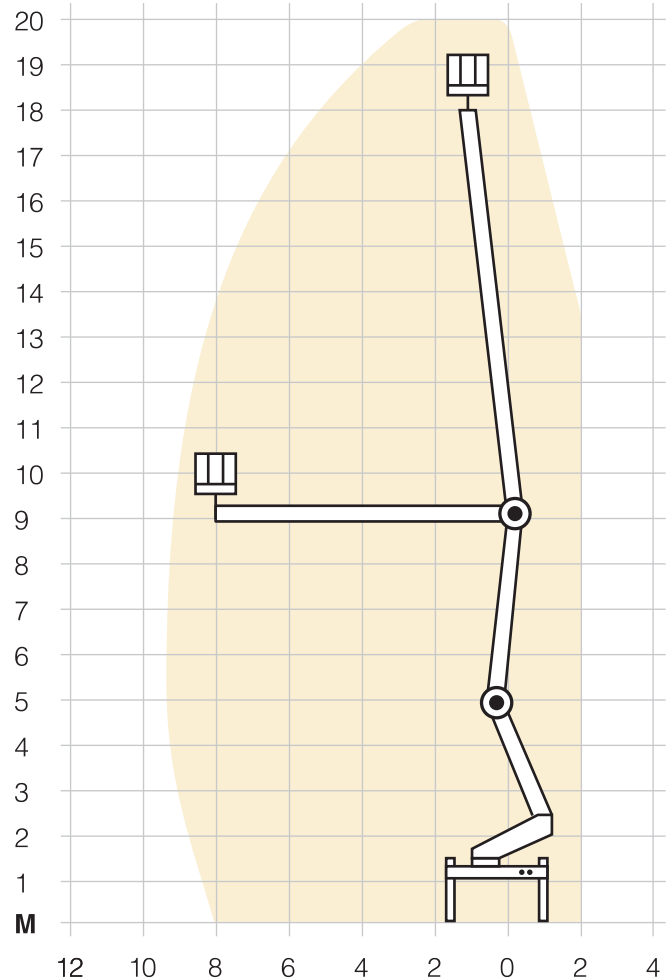
AA ACCESS

20 m Socage features

- Up to 9.5m up and over outreach with zero tailswing
- Basket load sensing, load sensitive outrigger interlocks and zero tailswing.

The 20m SOCAGE is a double articulated aerial platform that has a maximum working height of 20m and a maximum outreach of 9.5m with a safe working load (SWL) of 225kg (2 operators + tools).

Model	20 m Socage
Max working height	20.0 m
Platform height	18.0 m
Outreach	9.5 m
SWL	225 kg
Rotation	360° continuous
Basket rotation	90° + 90°
Travel width	2.3 m
Travel length	6.2 m
Travel height	2.85 m
Dimensions	1.4 x 0.7 x 1.1 m
GVW	3.5 tonne



AA Access Ltd

239 Ashley Rd, Hale, Altrincham, Greater Manchester WA15 9NE
t: 0161 223 8100 e: info@highaccess.co.uk w: highaccess.co.uk