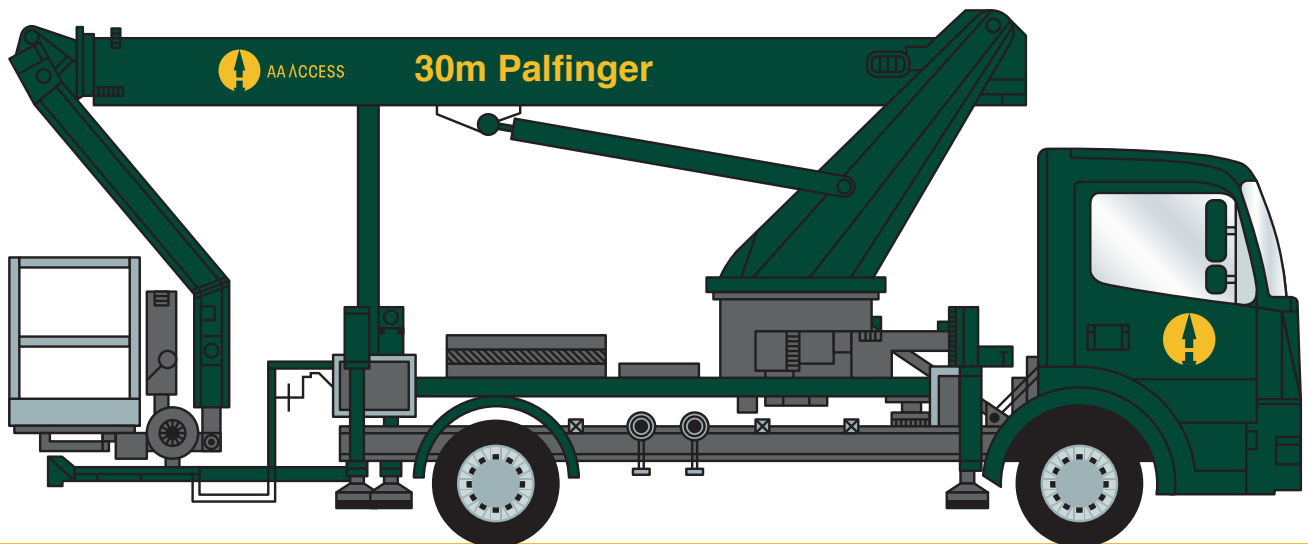


30 metre Palfinger

7.5 tonne GVW (Operated Only)



AA ACCESS



AA Access Ltd

239 Ashley Rd, Hale, Altrincham, Greater Manchester WA15 9NE
t: 0161 223 8100 e: info@highaccess.co.uk w: highaccess.co.uk

30 metre Palfinger

7.5 tonne GVW (Operated Only)



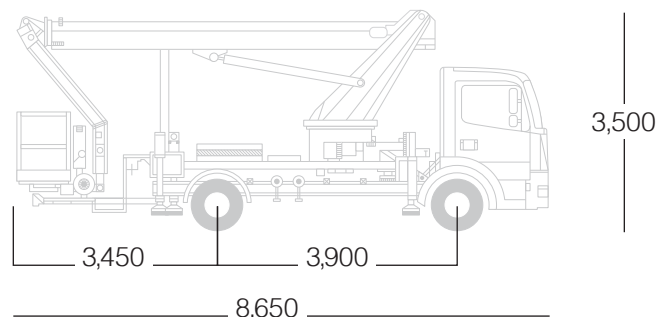
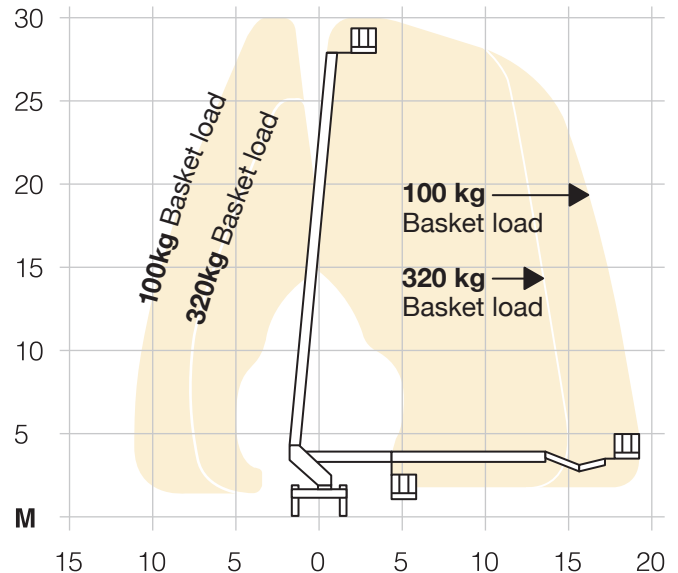
AA ACCESS

30 m Palfinger features

- Up & over capability for ease of access to roofs
- Variable jacking – one sided, narrow / fully extended
- Zero tail-swing for work on highways
- Telescopic boom for maximum outreach

The 30m Palfinger Wumag Access Platform offers maximum flexibility for working in modern city or town centres combining exceptional outreach and flexibility. The unique counter slewing system allows it to achieve maximum manoeuvrability with minimum tail swing.

Model	30 m Palfinger
Max working height	30.0 m
Platform height	28.0 m
Outreach	19.5 m
SWL	320 / 100 kg
Platform rotation	80° + 80°
Slewing range	540°
Jack width	5.0 / 2.5 m
Travel width	2.50 m
Travel length	8.65 m
Travel height	3.50 m
Dimensions	1.6 x 0.8 x 1.1 m
GVW	7.5 tonne



AA Access Ltd

239 Ashley Rd, Hale, Altrincham, Greater Manchester WA15 9NE

t: 0161 223 8100 e: info@highaccess.co.uk w: highaccess.co.uk